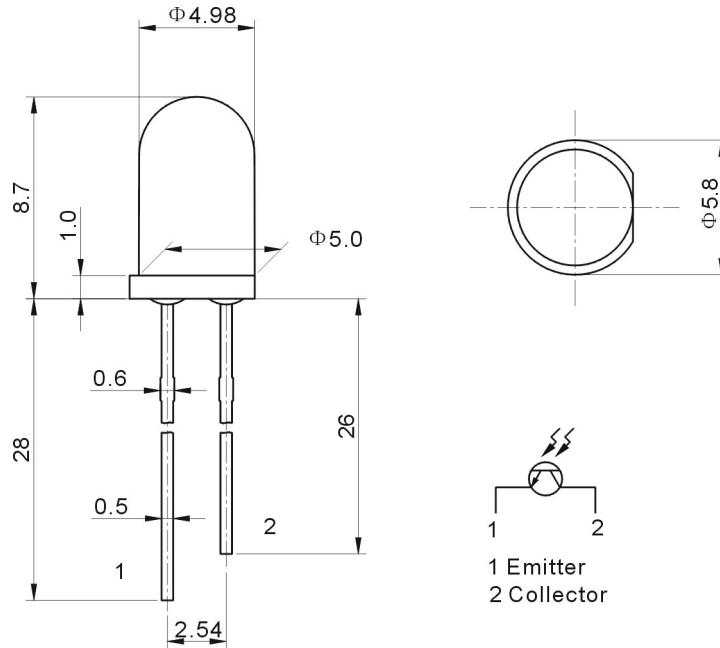


F5 接收管產品規格書

Part No.: PT513B-BO1

UNIT: mm



NOTE: TOLERANCE ± 0.5 mm

Parameter	Symbol	MIN.	TYP.	MAX.	UNIT	TEST CONDITION
Reverse dark current	I_{CEO}			100	nA	$V_{CE}=10V$
C-E Saturation Voltage	$V_{CE(Sat)}$			300	mV	$I_C=5mA$ $I_B=1mA$
Light Current	$I_c(on)$	200		1500	μA	$V_{CE}=10V$ $I_C=1mA$
Rise Time(10%to90%)	t_r		15		μS	$V_{ce}=5V$ $I_c=1mA$
Fail Time(90%to10%)	t_j		15		μS	$R_L=100ohms$
Wavelength of Peak Sensitivity	λ_p		940		nm	
Range of Spectral Bandwidth	$\lambda_{0.5}$	700		1200	nm	
Collector-Emitter Voltage	BV_{CEO}	40				$I_{CE}=500\mu A$
Collector-Base Voltage	BV_{CBO}	50				$I_{CB}=50\mu A$
Emitter- Base Voltage	BV_{EBO}	6				$I_{EB}=50\mu A$
Emitter-Collector Voltage	BV_{ECO}	5				$I_{EC}=50\mu A$
Collector Current	I_C		20		mA	
C-Power dissipation	P_C		100		mW	

- ABSOLUTE MAXIMUM RATINGS: ($T_a=25^\circ C$)
- OPERATING TEMPERATURE: $-25^\circ C$ TO $+85^\circ C$
- LEAD SOLDERING TEMPERATURE: $260^\circ C$ FOR 5 SECONDS